



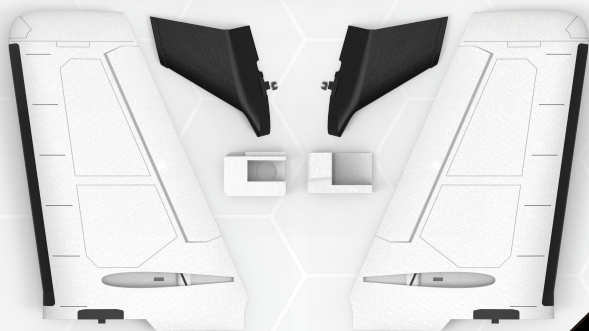
User Guide

Thank you for supporting us
buying a Dart XL "Extreme"

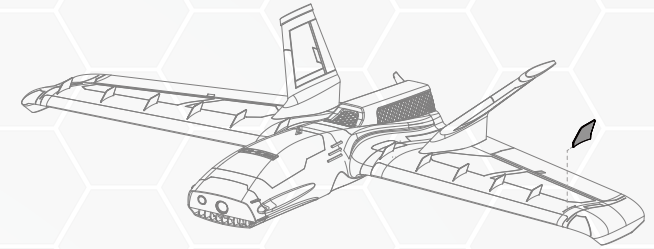
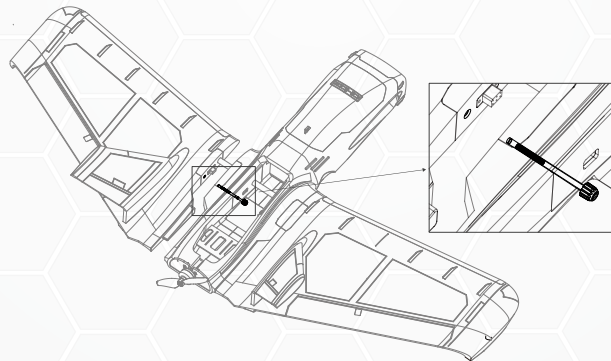
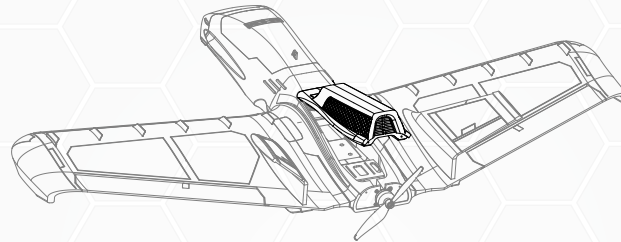
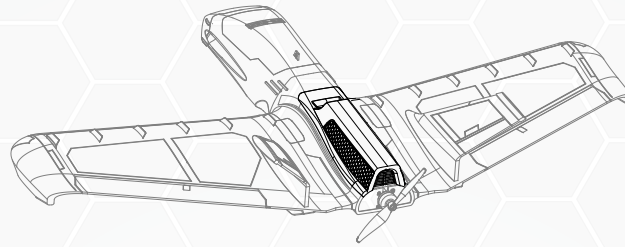
Stay connected with us through our social media channels:



Contact us: info@sonicmodell.com sales@sonicmodell.com
Customer service: cs@sonicmodell.com
www.sonicmodell.com

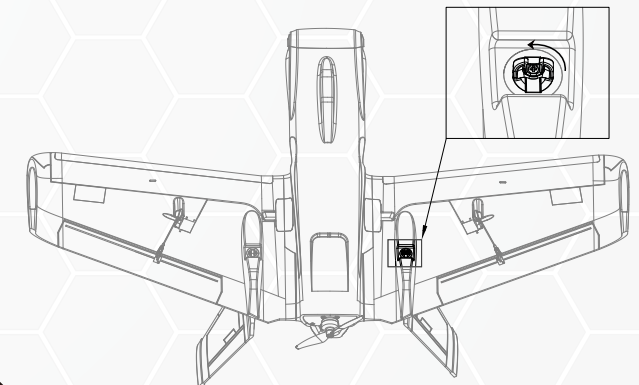
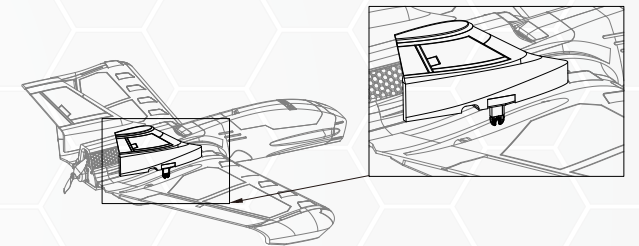


1. Remove the rear hatch by pulling up from the end closer to the motor. It's held by magnets.
2. Use the thumbscrews to attach or detach the main wings.

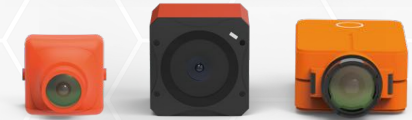


3. Use a bit of glue to fix the VG's on your wings.

4. Lock and unlock the tail fins by twisting the plastic peg shown in the picture.



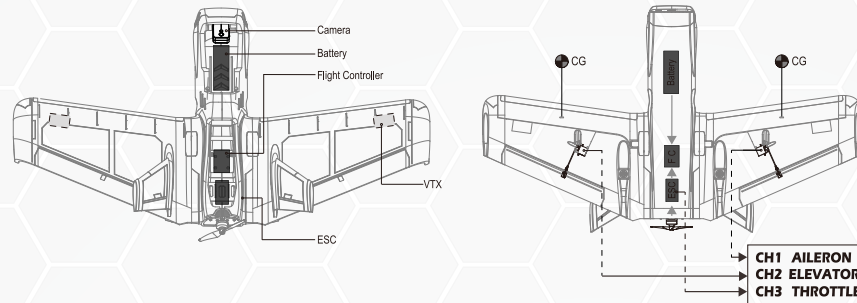
ZOHHD
Inspiring The Future



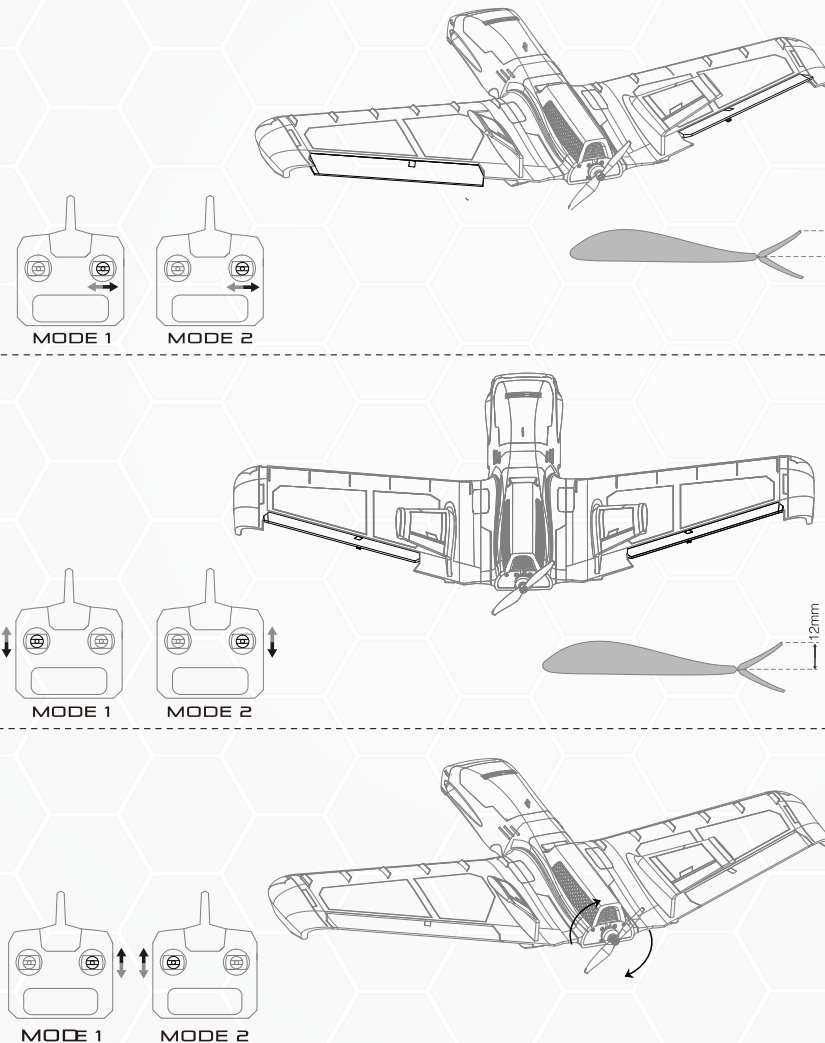
5. Use the provided mask to suit your preferred camera configuration.



6. CG marks are below the wings. Be sure to set it properly before flying.



7. Recommended control surfaces throws:



MKII BRUSHLESS MOTOR

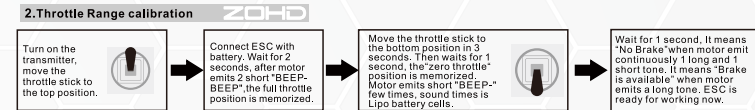
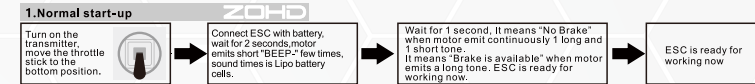
ESC



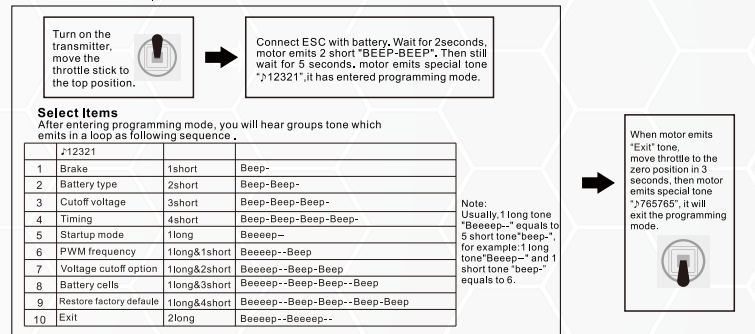
01 Specifications

Model	Con. Current (Good heat dissipation)	Burst Current (Good heat dissipation)	BEC	LiPo	Weight (For reference)	Size (For reference)
ZOHd MKII 30A	40A	50A	5V/3A	2-4S	51g	65x26x15.5mm

02 Operation instruction



3. Programming

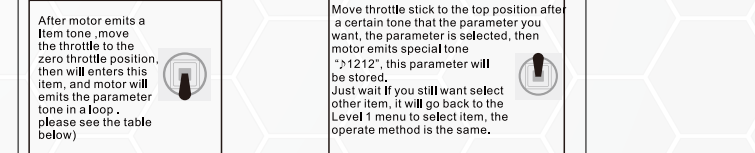


Select items
After entering programming mode, you will hear groups tone which emits in a loop as following sequence.

#	Item	Time	Tone
1	Brake	1short	Beep-
2	Battery type	2short	Beep-Beep-
3	Cutoff voltage	3short	Beep-Beep-Beep-
4	Timing	4short	Beep-Beep-Beep-Beep-
5	Startup mode	1long	Beep-
6	PWM frequency	1long&1short	Beep--Beep
7	Voltage cutoff option	1long&2short	Beep--Beep-Beep
8	Battery calls	1long&3short	Beep--Beep-Beep-Beep
9	Restore factory default	1long&4short	Beep--Beep-Beep-Beep-Beep
10	Exit	2long	Beep--Beep--

Note:
Usually, 1 long tone "Beep--" equals to 5 short tone "beep-", for example: 1 long tone "Beep--" and 1 short tone "beep-" equals to 6.

Item parameter



Item	1short	2short	3short	4short	1long	1long&1short	1long&2short	1long&3short
1.Brake	NO	Soft	Heavy	Very Heavy				
2.Battery type	LiPo	NiCb/NiMH						
3.Cutoff voltage	2.8V	3.0V	3.2V					
4.Timing	0°	3.75°	7.5°	11.25°	15°	18.75°	22.5°	26.25°
5.Startup mode	Normal	Soft	Very Soft					
6.PWM frequency	12KHz	8KHz						
7.Voltage cutoff option	Reduce cutoff	Cut off						
8.Battery cells	Auto	2S	3S	4S				

*Shadow parts are factory default value

If don't want select other parameter, move throttle to the zero position in 3 seconds, then motor emits special tone ">765765", it will exit the programming mode.