



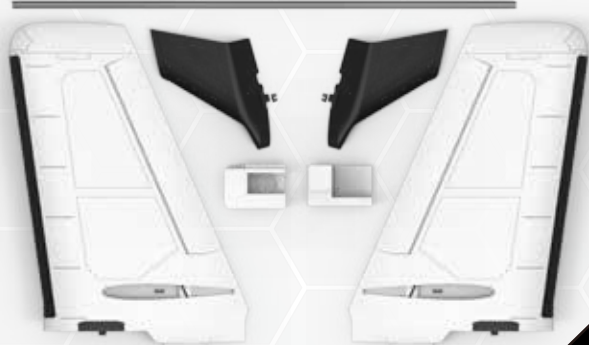
User Guide

Thank you for supporting us
buying a Dart XL "Extreme"
Enhanced Version

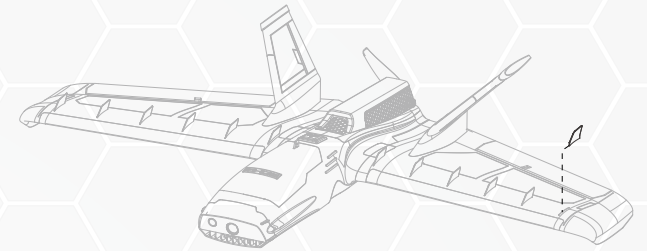
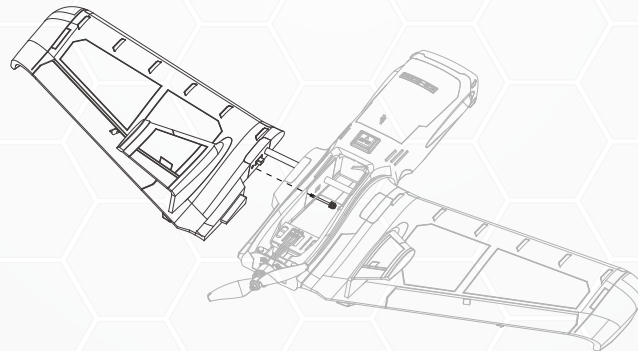
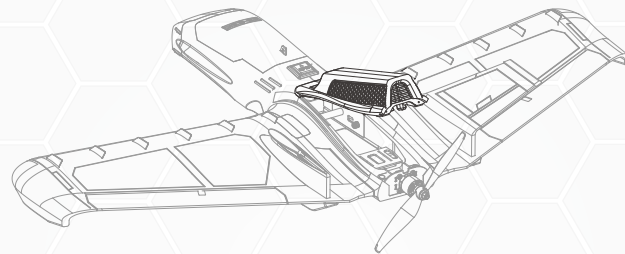
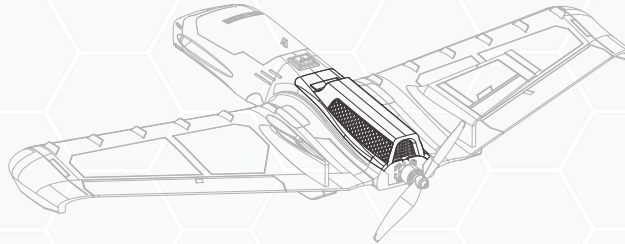
Stay connected with us through our social media channels:



Contact us: info@sonicmodell.com sales@sonicmodell.com
Customer service: cs@sonicmodell.com
www.sonicmodell.com

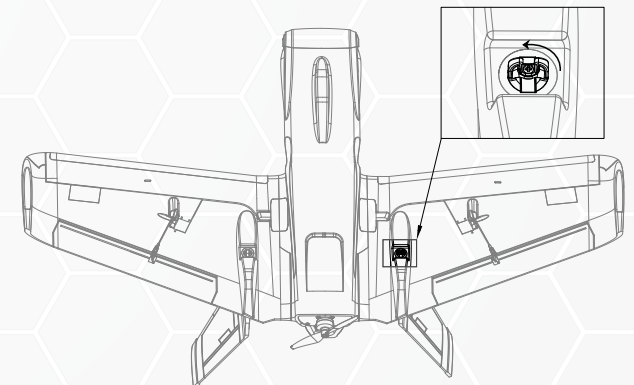
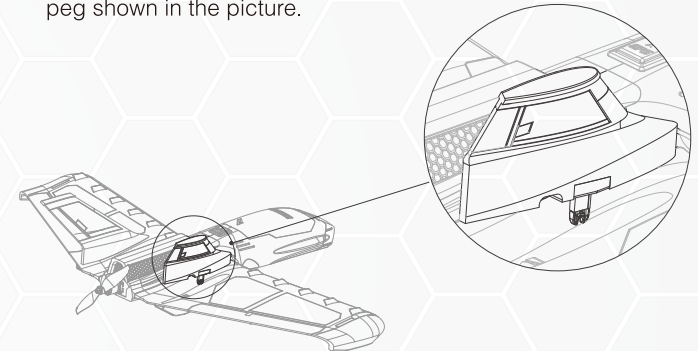


1. Remove the rear hatch by pulling up from the end closer to the motor. It's held by magnets.
2. Use the thumbscrews to attach or detach the main wings.



3. Use a bit of glue to fix the VG's on your wings.

4. Lock and unlock the tail fins by twisting the plastic peg shown in the picture.



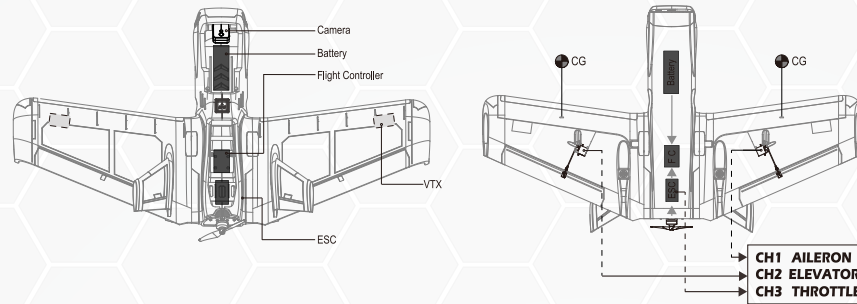
ZOHHD
Inspiring The Future



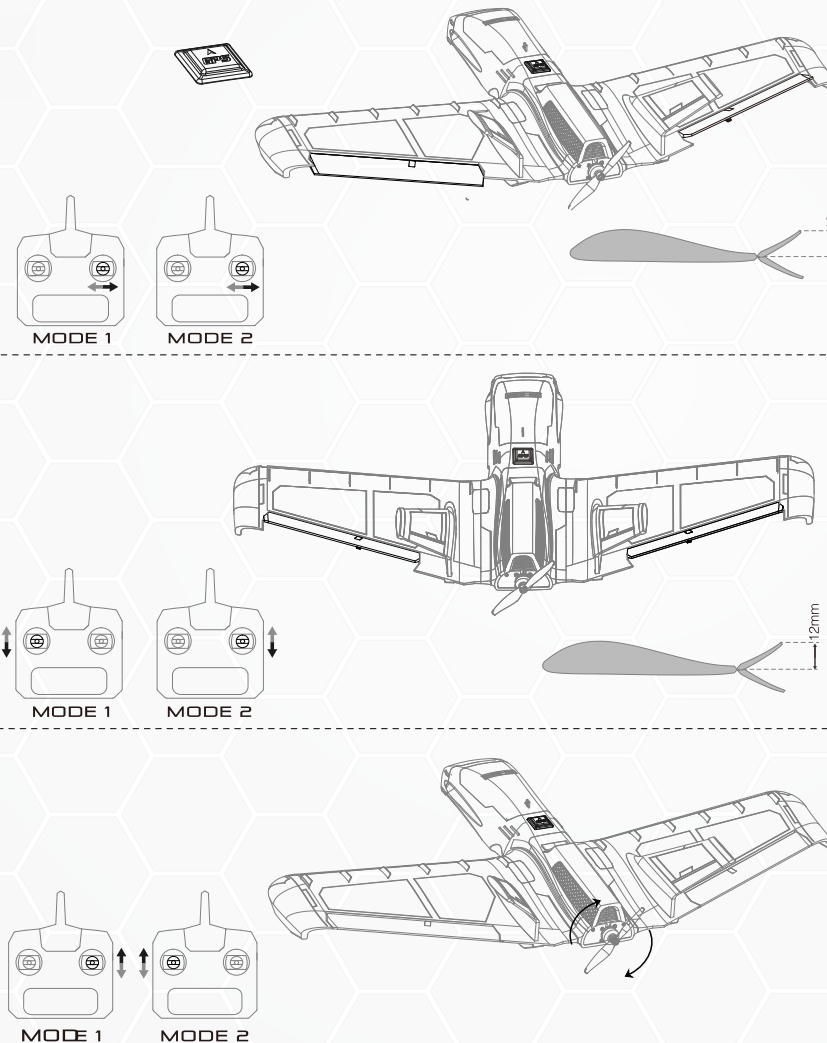
5. Use the provided mask to suit your preferred camera configuration.



6. CG marks are below the wings. Be sure to set it properly before flying.



7. Recommended control surfaces throws:



MKII BRUSHLESS MOTOR

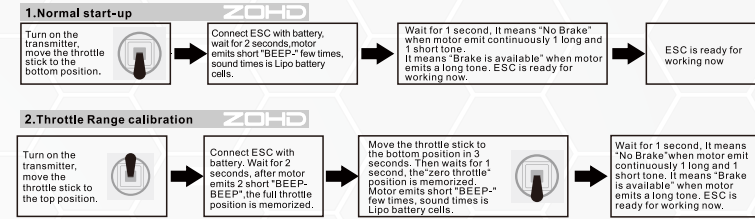
ESC



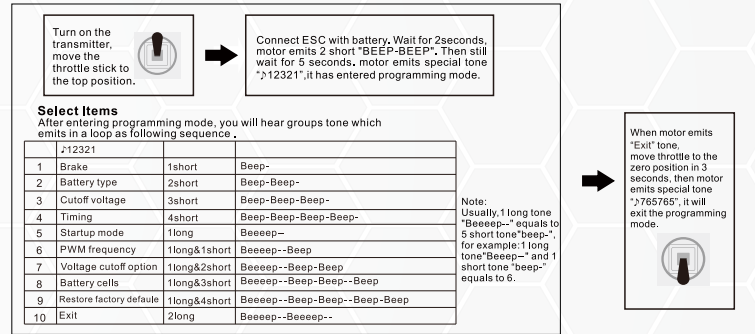
01 Specifications

Model	Con. Current (Good heat dissipation)	Burst Current (Good heat dissipation)	BEC	LiPo	Weight (For reference)	Size (For reference)
ZOHd MKII 30A	40A	50A	5V/3A	2-4S	51g	65x26x15.5mm

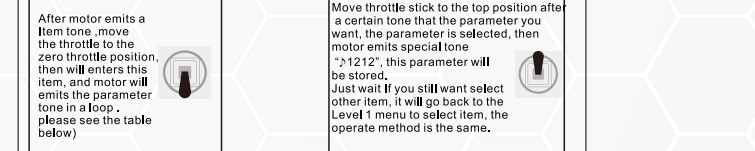
02 Operation instruction



3. Programming



Item parameter



Item	1	2	3	4	5	6	7	8
Prompt tone	1short	2short	3short	4short	1long	1long&1short	1long&2short	1long&3short
1.Brake	NO	Soft	Heavy	Very Heavy				
2.Battery type	LiPo	NiCb/NiMH						
3.Cutoff voltage	2.8V	3.0V	3.2V					
4.Timing	0°	3.75°	7.5°	11.25°	15°	18.75°	22.5°	26.25°
5.Startup mode	Normal	Soft	Very Soft					
6.PWM frequency	12KHz	8KHz						
7.Voltage cutoff option	Reduce cutoff	Cut off						
8.Battery cells	Auto	2S	3S	4S				

*Shadow parts are factory default value