

TALON GT REBEL

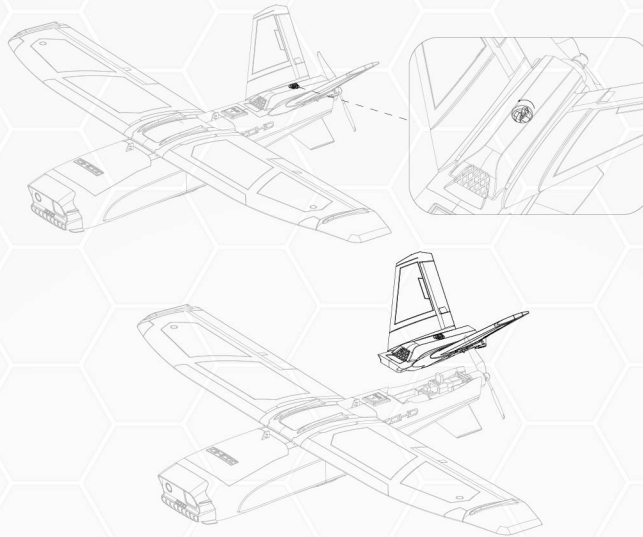
User Guide

Thank you for supporting us
buying a Talon GT "Rebel"

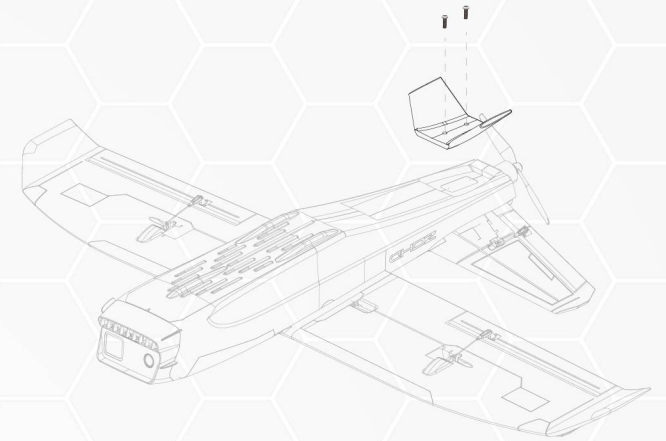
Stay connected with us through our social media channels:



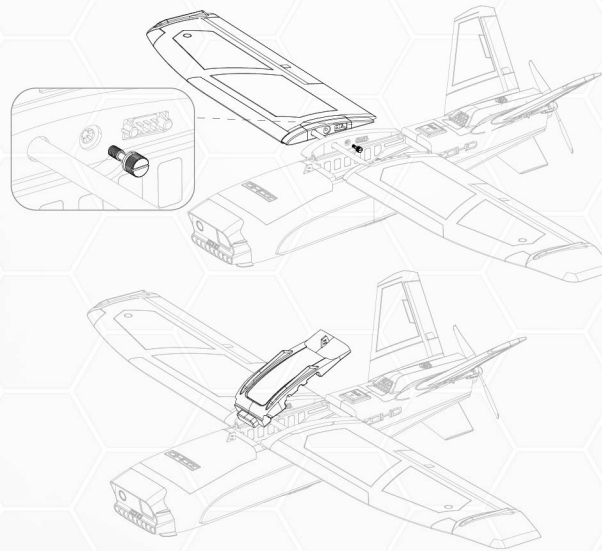
1. Secure the tail with the provided "quick lock" system.
You can also remove the tail anytime for an easy transport.



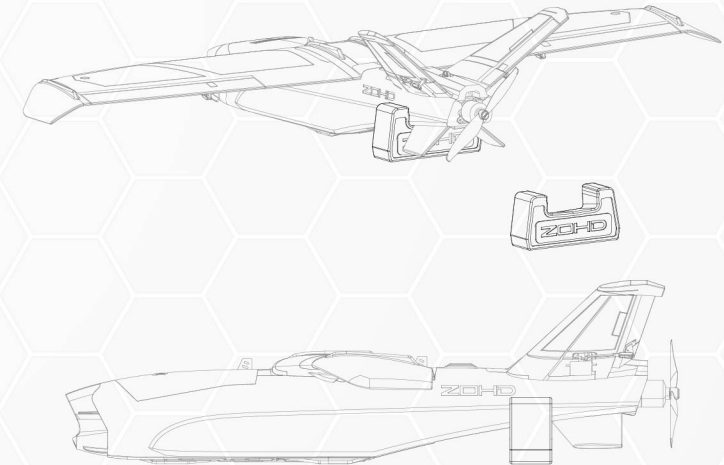
2. Use the 2 provided screws to fix the ventral fins.

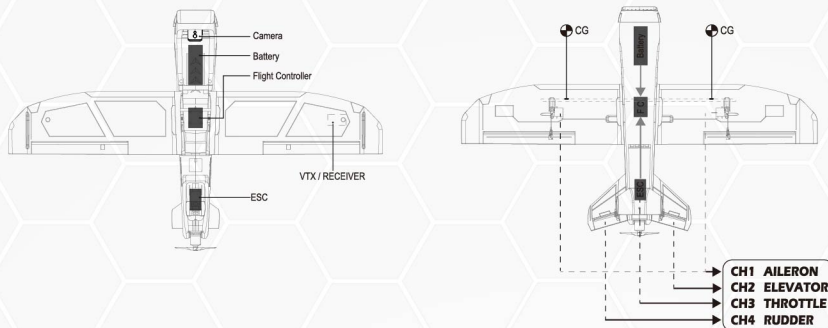


3. You can easily attach and remove the wings with the provided thumbscrews. Once your setup is done, you can close the main hatch.

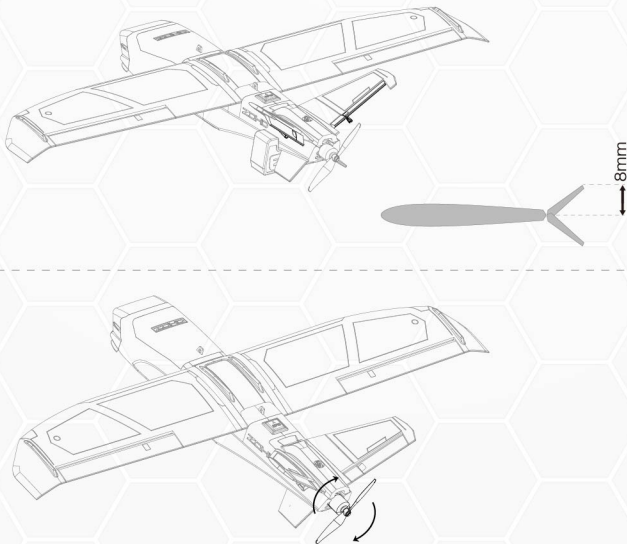
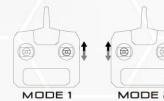
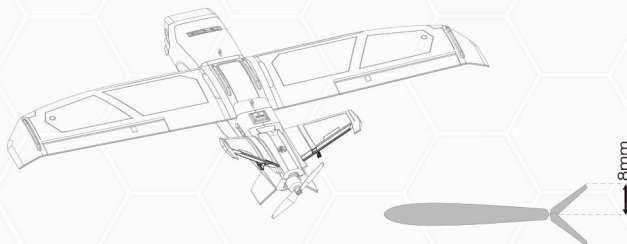
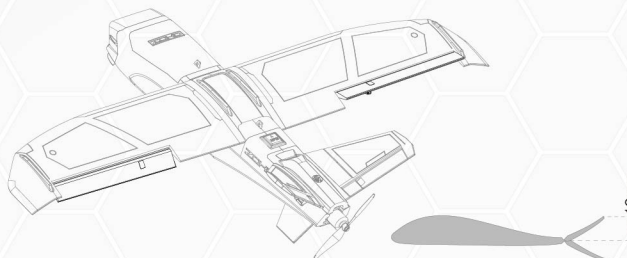
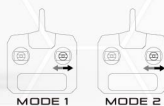


4. Use the provided stand to help the plane sit straight and level while setting up your flight controller. You can also use the stand to prevent transport or storage damage to the ventral fins.





- CH1 AILERON
- CH2 ELEVATOR
- CH3 THROTTLE
- CH4 RUDDER



MKII BRUSHLESS MOTOR

ESC



01 Specifications

ZOHDPV

Model	Con. Current (Good heat dissipation)	Burst Current (Good heat dissipation)	BEC	LiPo	Weight (For reference)	Size (For reference)
ZOHDPV MKII 40A	40A	50A	5V/3A	2-4S	51g	65x26x15.5mm

02 Operation instruction

ZOHDPV

1. Normal start-up

Turn on the transmitter, move the throttle stick to the bottom position. → Connect ESC with battery, wait for 2 seconds, motor emits short "BEEP" few times, sound times is Lipo battery cells. → Wait for 1 second. It means "No Brake" when motor emit continuously 1 long and 1 short tone. It means "Brake is available" when motor emits a long tone. ESC is ready for working now. → ESC is ready for working now.

2. Throttle Range calibration

Turn on the transmitter, move the throttle stick to the top position. → Connect ESC with battery. Wait for 2 seconds, after motor emits 2 short "BEEP-BEEP", the full throttle position is memorized. → Move the throttle stick to the bottom position in 3 seconds. Then waits for 1 second, the "zero throttle" position is memorized. Motor emits short "BEEP-BEEP" few times, sound times is Lipo battery cells. → Wait for 1 second. It means "No Brake" when motor emit continuously 1 long and 1 short tone. It means "Brake is available" when motor emits a long tone. ESC is ready for working now.

3. Programming

Turn on the transmitter, move the throttle stick to the top position. → Connect ESC with battery. Wait for 2 seconds, motor emits 2 short "BEEP-BEEP". Then still wait for 5 seconds, motor emits special tone "12321", it has entered programming mode.

Select items
After entering programming mode, you will hear groups tone which emits in a loop as following sequence.

Item	Parameter	Beep
1	Brake	1short Beep-
2	Battery type	2short Beep-Beep-
3	Cutoff voltage	3short Beep-Beep-Beep-
4	Timing	4short Beep-Beep-Beep-Beep-
5	Startup mode	1long Beeeep--
6	PWM frequency	1long&1short Beeeep--Beep
7	Voltage cutoff option	Beeeep--Beep-Beep
8	Battery cells	1long&3short Beeeep--Beep-Beep-Beep
9	Restore factory default	1long&4short Beeeep--Beep-Beep--Beep-Beep
10	Exit	2long Beeeep--Beeeep--

Note: Usually, 1 long tone "Beeeep--" equals to 5 short tone "beep-", for example: 1 long tone "Beeeep--" and 1 short tone "beep-" equals to 6.

When motor emits "Exit" tone, move throttle to the zero position in 3 seconds, then motor emits special tone "12321", it will exit the programming mode.

Item parameter

After motor emits a item tone, move the throttle to the zero throttle position, then will enters this item, and motor will emits the parameter tone in a loop. please see the table below.

Move throttle stick to the top position after a certain tone that the parameter is selected, then motor emits special tone "1212", this parameter will be stored. Just wait if you still want select other item, it will go back to the Level 1 menu to select item, the operate method is the same.

Item	Prompt tone							
	1short	2short	3short	4short	1long	1long&1short	1long&2short	1long&3short
1.Brake	NO	Soft	Heavy	Very Heavy				
2.Battery type	Lipo	NiCb/NiMh						
3.Cutoff voltage	2.8V	3.0V	3.2V					
4.Timing	0°	3.75°	7.5°	11.25°	15°	18.75°	22.5°	26.25°
5.Startup mode	Normal	Soft	Very Soft					
6.PWM frequency	12KHz	8KHz						
7.Voltage cutoff option	Reduce	Auto	Cut off					
8.Battery cells	Auto	2S	3S	4S				

*Shadow parts are factory default value

If don't want select other parameter, move throttle to the zero position in 3 seconds, then motor emits special tone "12321", it will exit the programming mode.